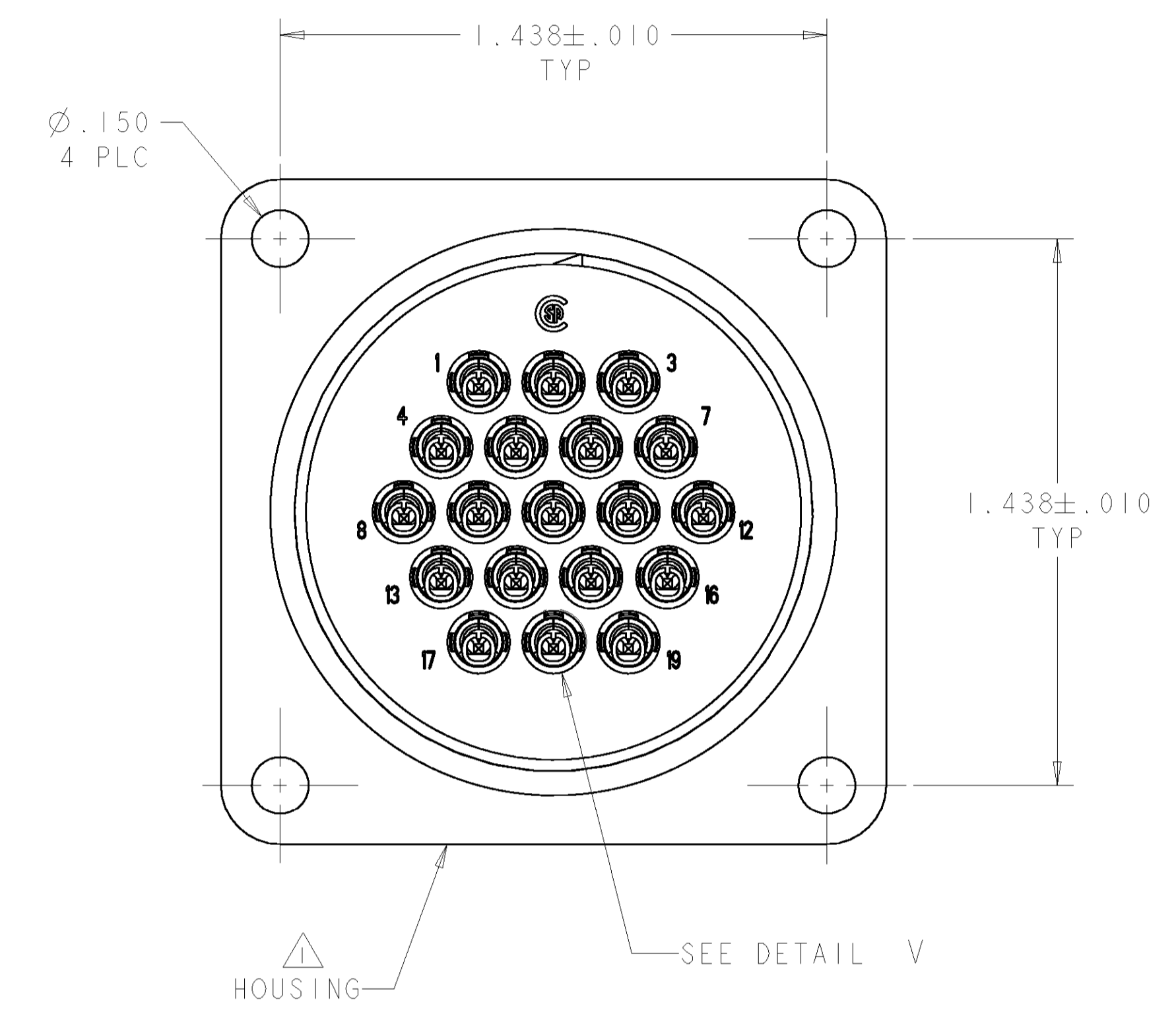
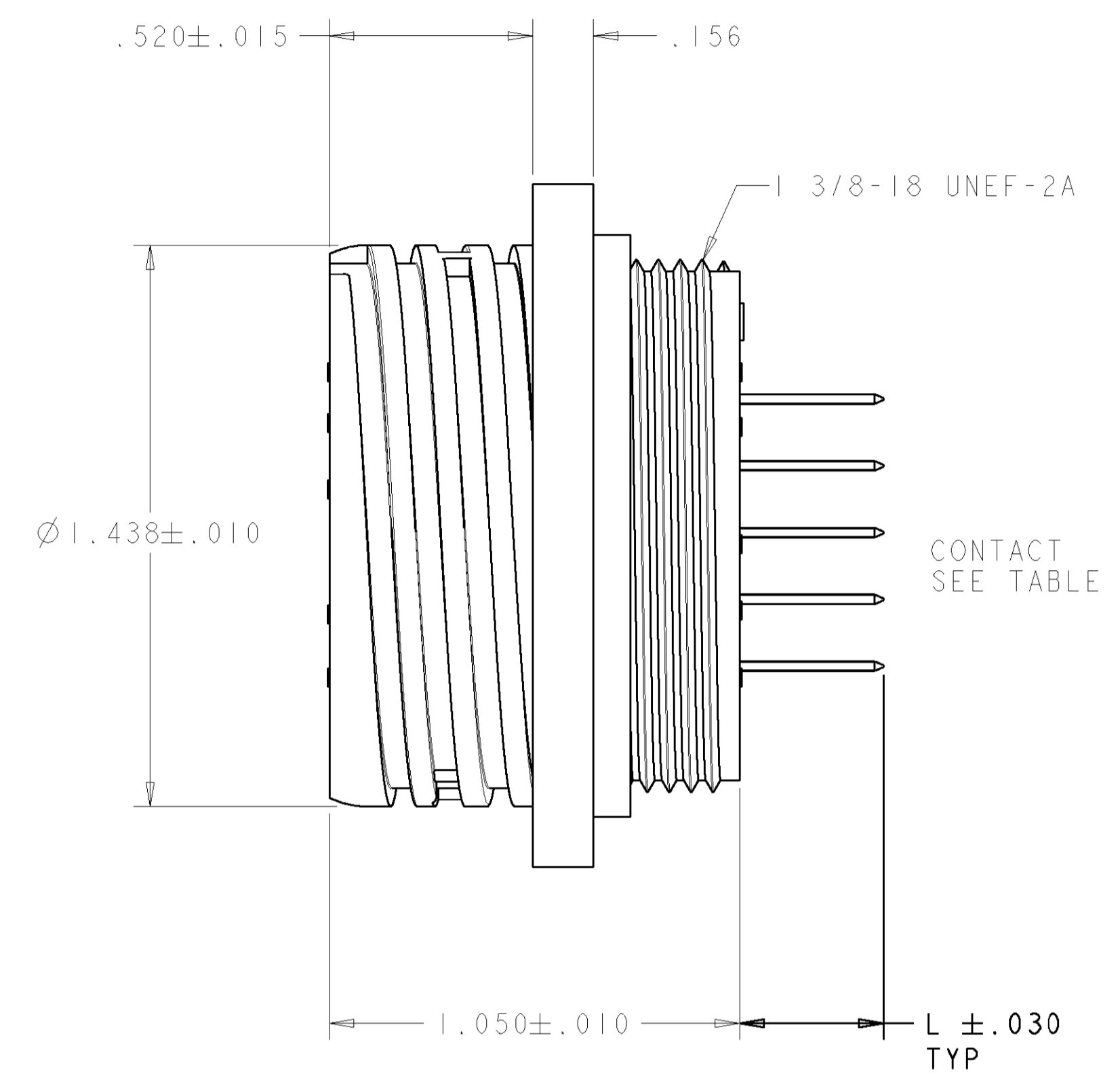
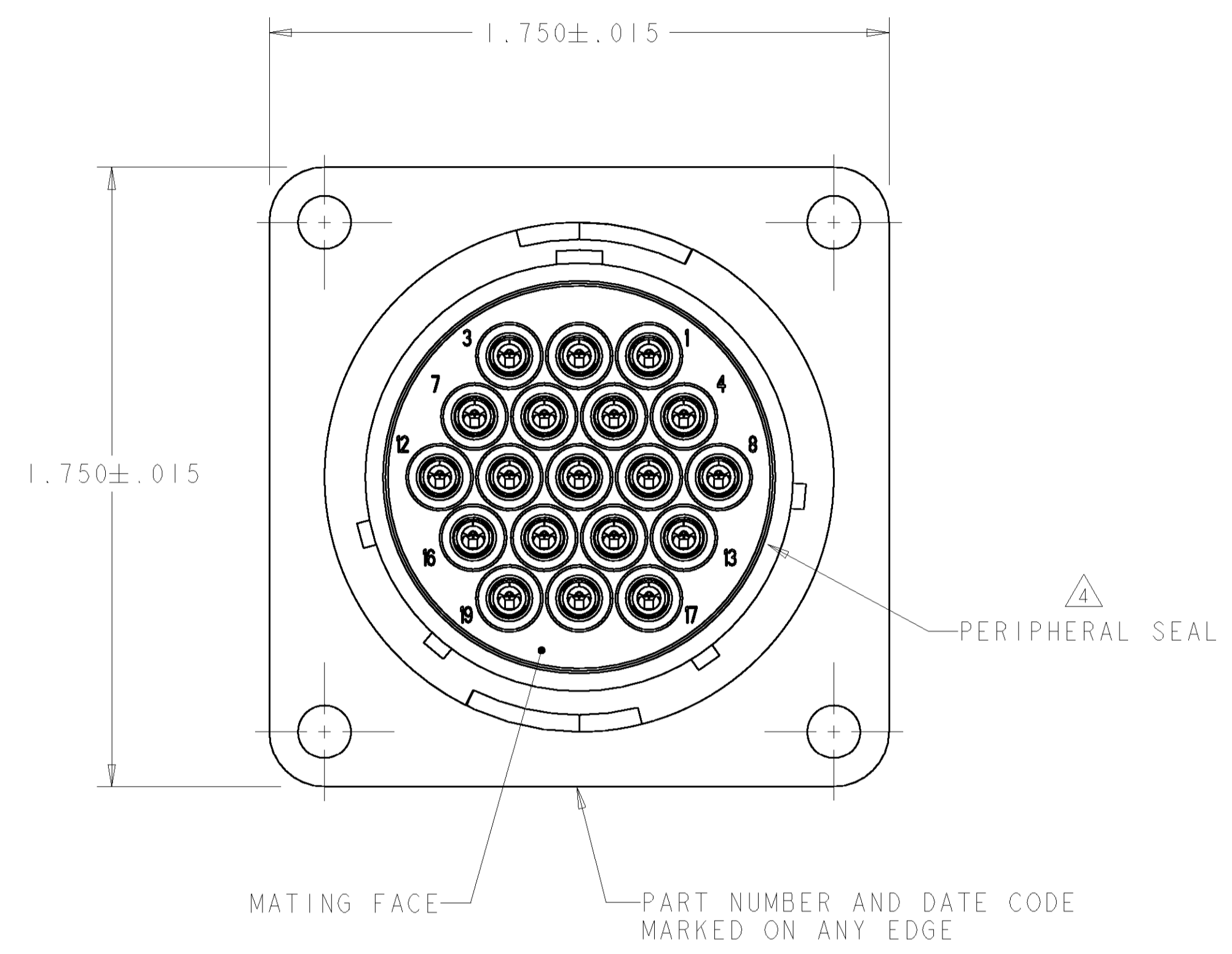


LOC	DIST	REVISIONS					
FT	0	P	LTR	DESCRIPTION	DATE	DWN	APVD
		J		REVISED EC 0638-0175-05	04MAY2005	SW	SH
		K		REVISED ECO-06-010322	03MAY2006	SW	SH
		L		REVISED ECO-06-011207	15MAY2006	SW	SH
		M		REVISED PER ECO-07-005904	23MAR2007	SS	SH

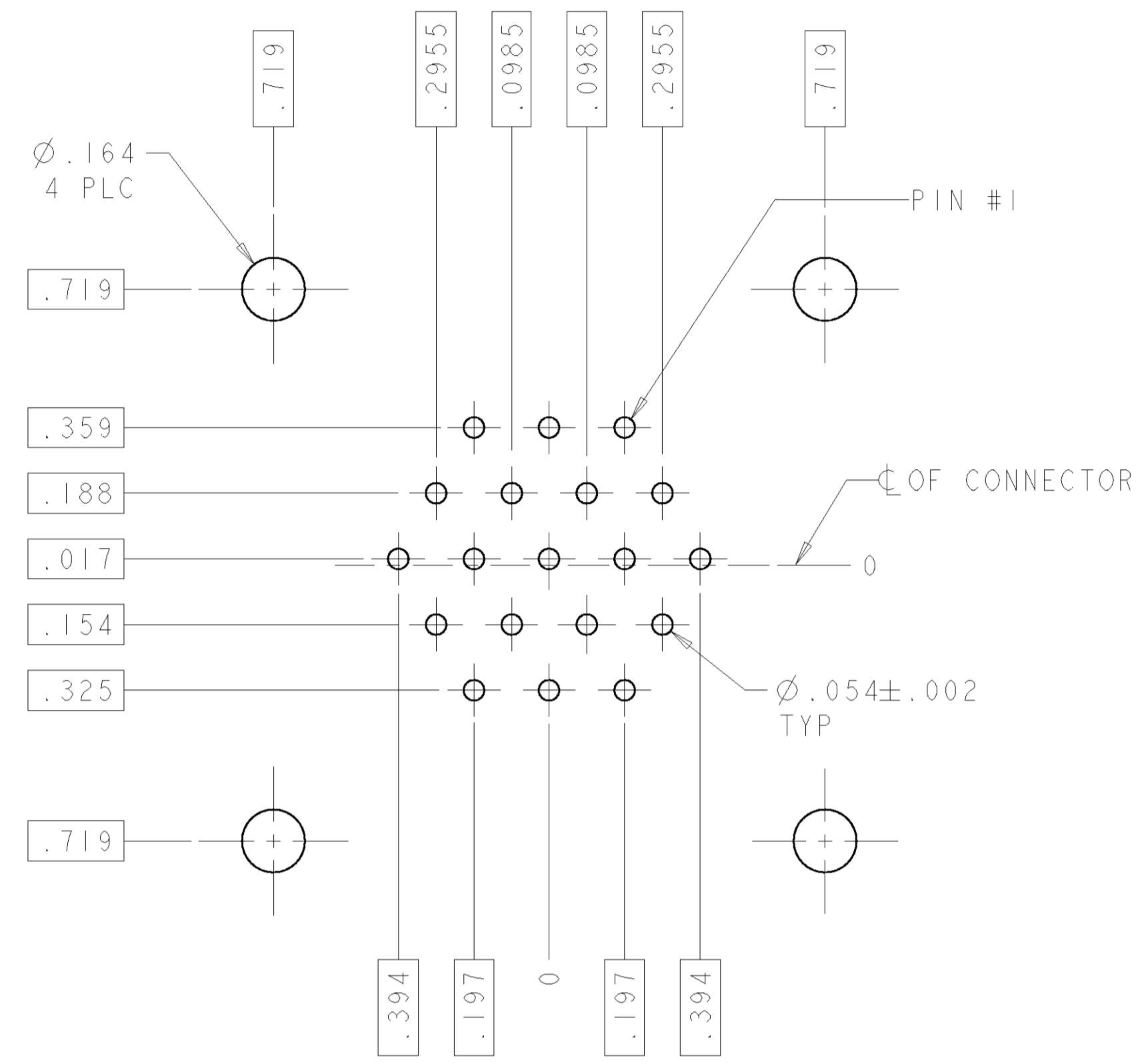


- △ HOUSING: NYLON, UL 94 V-0 RATED, COLOR: BLACK.
- △ CONTACT:
 BODY - BRASS, .000030 MIN GOLD FOR A LENGTH OF .200 MIN FROM MATING END, GOLD FLASH ON REMAINDER, BOTH OVER .000050 MIN NICKEL.
 POST - BRASS, .000100 MIN TIN-LEAD OVER .000050 MIN NICKEL.
- △ CONTACT:
 BODY - BRASS, .000100 MIN TIN-LEAD OVER .000050 MIN NICKEL.
 POST - BRASS, .000100 MIN TIN-LEAD OVER .000050 MIN NICKEL.
- △ PERIPHERAL SEAL: ELASTOMER, COLOR: GRAY.
- △ .009 MAXIMUM CONTACT LEAD-IN SEAM GAP PERMISSIBLE ON MATING FACE END.
- △ CONTACT:
 BODY - BRASS, .000030 MIN GOLD OVER .000030 MIN NICKEL.
 POST - BRASS, .000100 MIN TIN-LEAD OVER .000050 MIN NICKEL.
- △ CONTACT:
 BODY - BRASS, .000100 MIN TIN OVER .000050 MIN NICKEL.
 POST - BRASS, .000100 MIN TIN OVER .000050 MIN NICKEL.
- △ CONTACT:
 BODY - BRASS, .000030 MIN GOLD FOR A LENGTH OF .200 MIN FROM MATING END, GOLD FLASH ON REMAINDER, BOTH OVER .000050 MIN NICKEL.
 POST - BRASS, .000100 MIN TIN OVER .000050 MIN NICKEL.

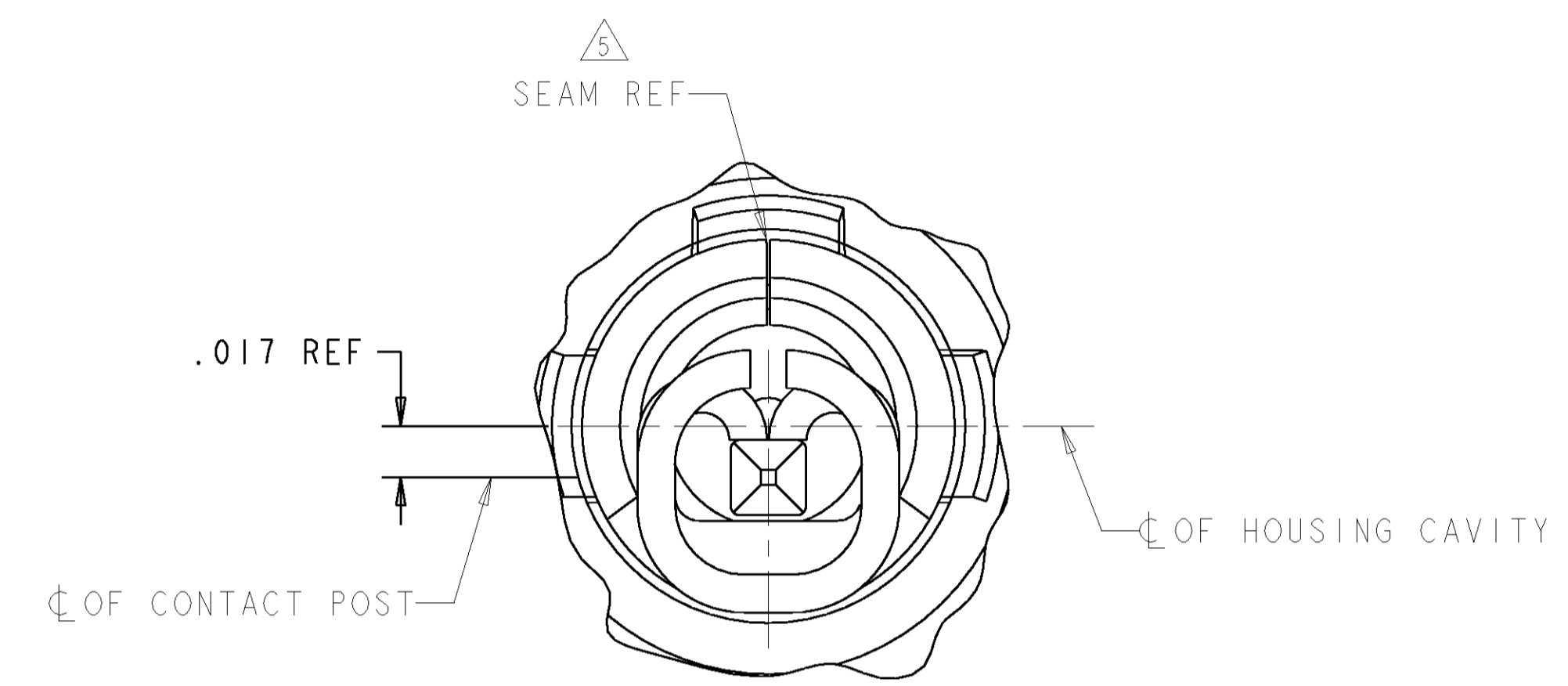
	YES	.368	△8	1-4, 7, 8, 10-12, 14-19	1-213781-0	
	NO	.557	△8	ALL	213781-9	
PRELIMINARY	NO	.348	△7	ALL	213781-8	
	YES	.368	△7	1-4, 7, 8, 10-12, 16-19	213781-7	
	YES	.368	△6	1-4, 7, 8, 10-12, 16-19	213781-6	
PRELIMINARY	YES	.368	△3	1-4, 7, 8, 10-12, 16-19	213781-5	
PRELIMINARY	YES	.368	△3	1-4, 7, 8, 10-12, 16-19	213781-4	
	YES	.368	△3	1-4, 7, 8, 10-12, 16-19	213781-2	
	NO	.557	△2	ALL	213781-1	
PERIPHERAL SEAL	L			CONTACT FINISH	SELECT LOADED IN POSITIONS	PART NUMBER

DIMENSIONS: INCHES 		TOLERANCES UNLESS OTHERWISE SPECIFIED: 0 PLC ±.0000 1 PLC ±.0000 2 PLC ±.0000 3 PLC ±.0000 4 PLC ±.0000 ANGLES ±.0000		DWN S. WELDON Z1MAY2003 ENR S. HEADER Z1MAY2003 APVD S. HEADER Z1MAY2003		Tyco Electronics Harrisburg, PA 17105-3608	
MATERIAL: - FINISH: -		PRODUCT SPEC: 108-10024 APPLICATION SPEC: 114-10038		NAME: RECEPTACLE ASSEMBLY, POSTED, REVERSE SEX, SERIES 1, 23-19, CPC		SIZE: A1 CAGE CODE: 00779 DRAWING NO: C=213781	
CUSTOMER DRAWING		SCALE: 3:1		SHEET: 1 OF 2		REV: M	

LOC	DIST	REVISIONS					
FT	0	P	LTR	DESCRIPTION	DATE	DWN	APVD
		-	-	SEE SHEET 1	-	-	-



RECOMMENDED PC BOARD LAYOUT



DETAIL V
SCALE 20:1

DIMENSIONS:		TOLERANCES UNLESS OTHERWISE SPECIFIED:		DWN		SHEET	
INCHES		0 PLC	$\pm .000$	S. WELDON	ZIMAY2003	2 OF 2	
		1 PLC	± 0.000	S. HEADER ZIMAY2003		REV M	
		2 PLC	± 0.000	S. HEADER ZIMAY2003		SCALE 3:1	
		3 PLC	± 0.000	S. HEADER ZIMAY2003		SHEET 2 OF 2	
		4 PLC	± 0.000	S. HEADER ZIMAY2003		REV M	
		ANGLES	$\pm .0000$	S. HEADER ZIMAY2003		SCALE 3:1	
MATERIAL		FINISH		PRODUCT SPEC		RESTRICTED TO	
-		-		108-10024		-	
				APPLICATION SPEC		-	
				114-10038		-	
				WEIGHT		-	
				CUSTOMER DRAWING		-	
				SCALE		3:1	
				SHEET		2 OF 2	
				REV		M	